




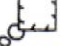








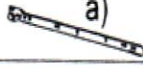

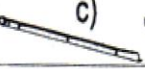
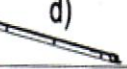



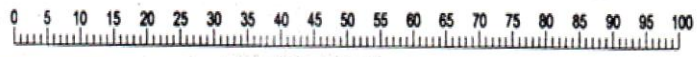
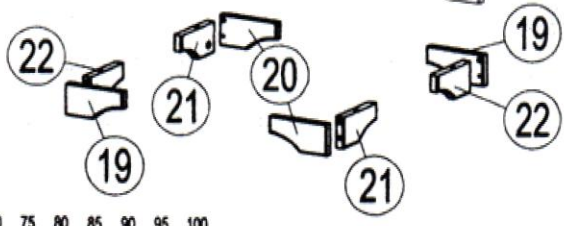
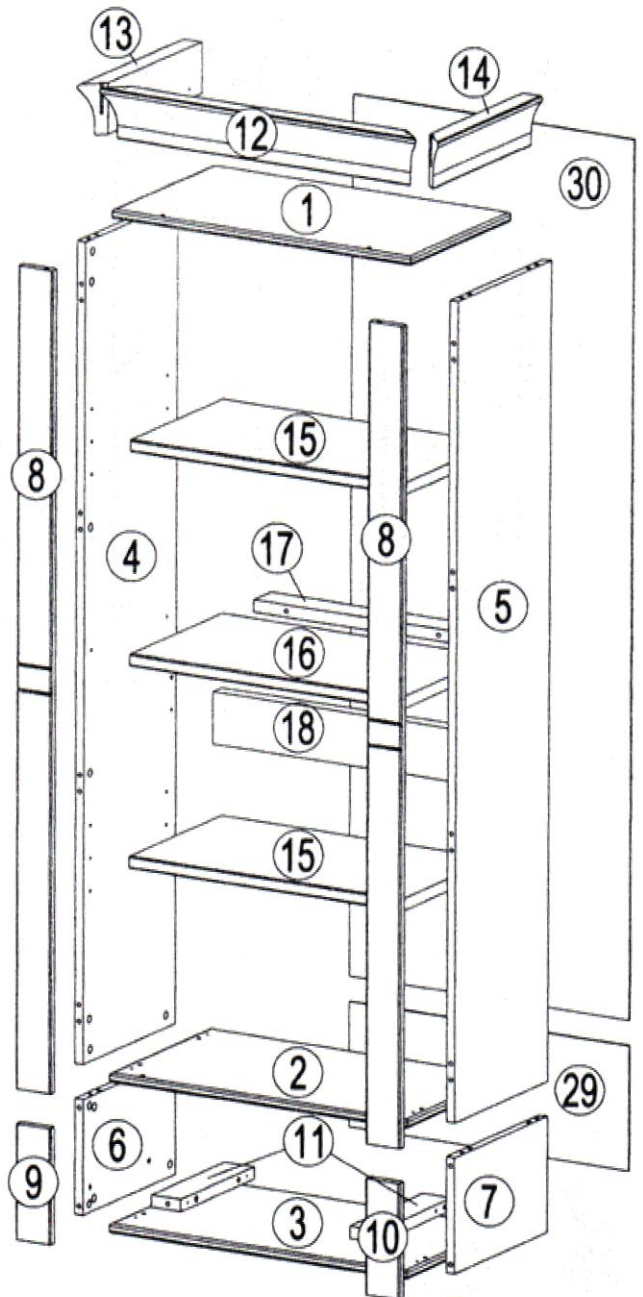
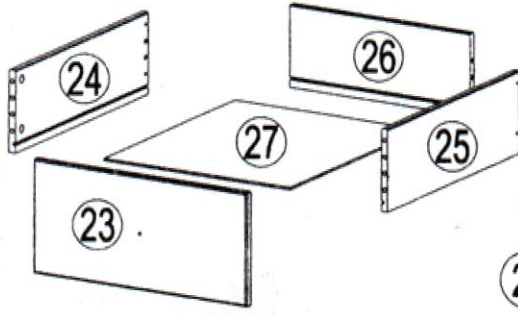
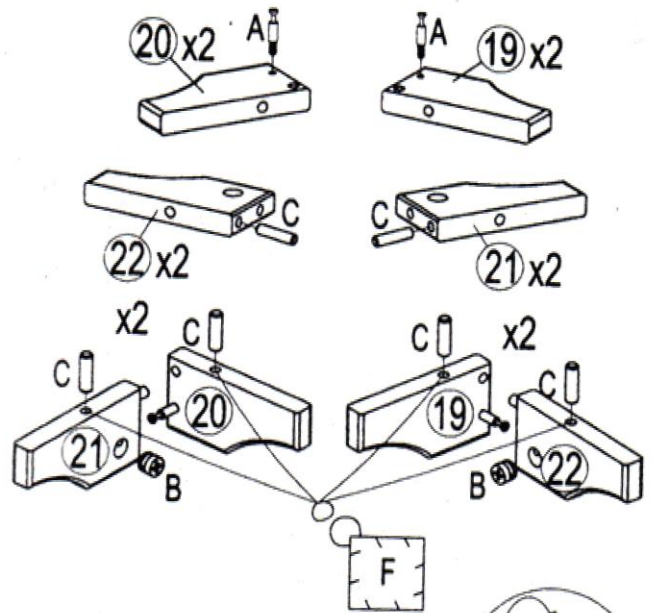
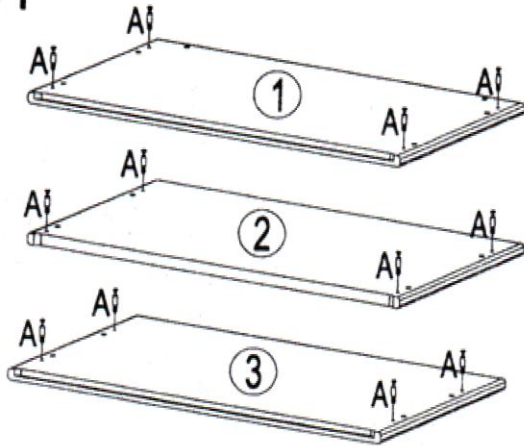


90 min

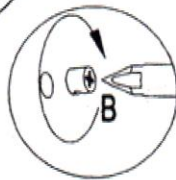
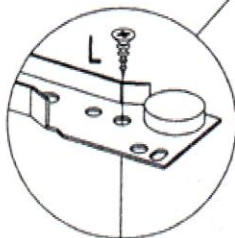
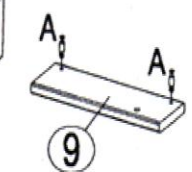
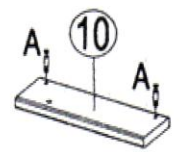
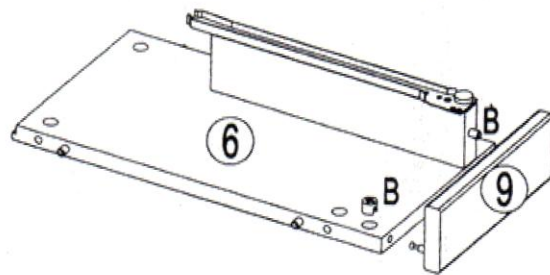
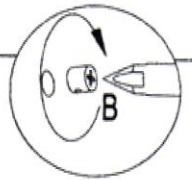
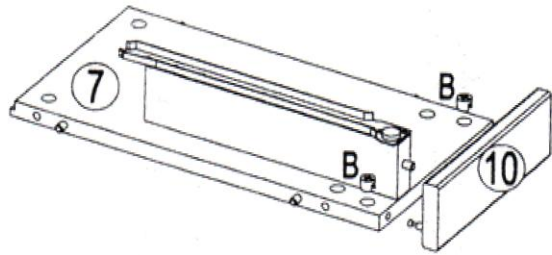
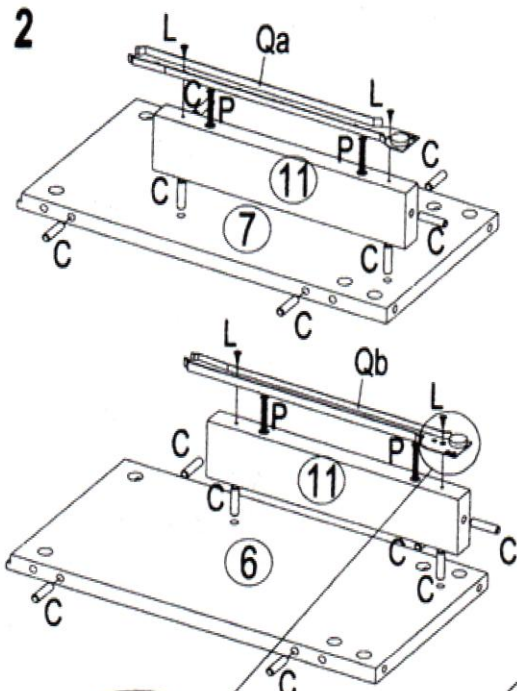
Ax38 	Bx38 	Cx60 	Dx6 	Ex6 	Fx1 	
Gx2 	Hx12 	Jx2  M4x22	Kx50  1.2x20	Lx26  Ø3.5x15	Mx4  Ø3.5x35	
Nx2  60 mm	Px4  Ø4x50	Qx1  a)  b)  c)  d)				Rx1 
Sx3 	Tx3 					



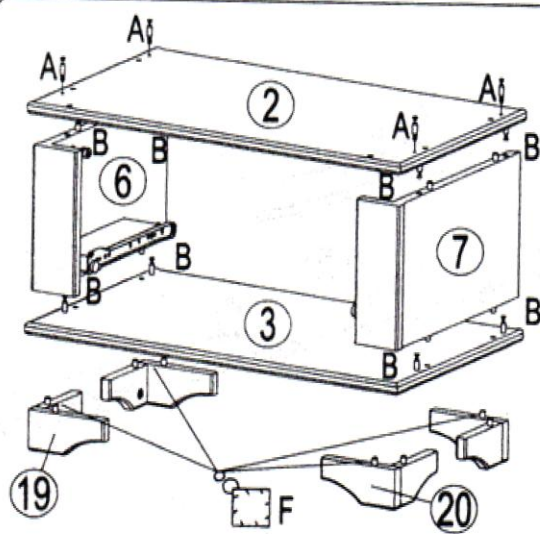
1



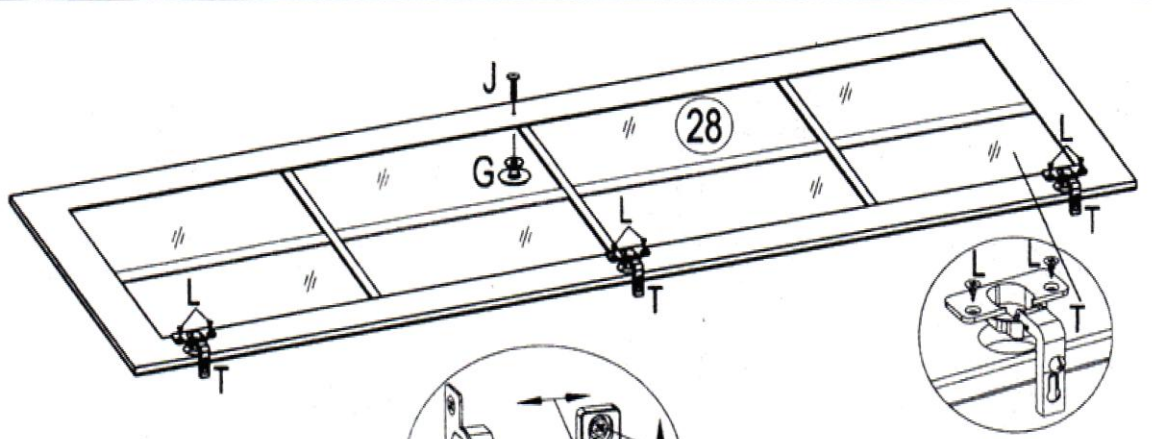
2



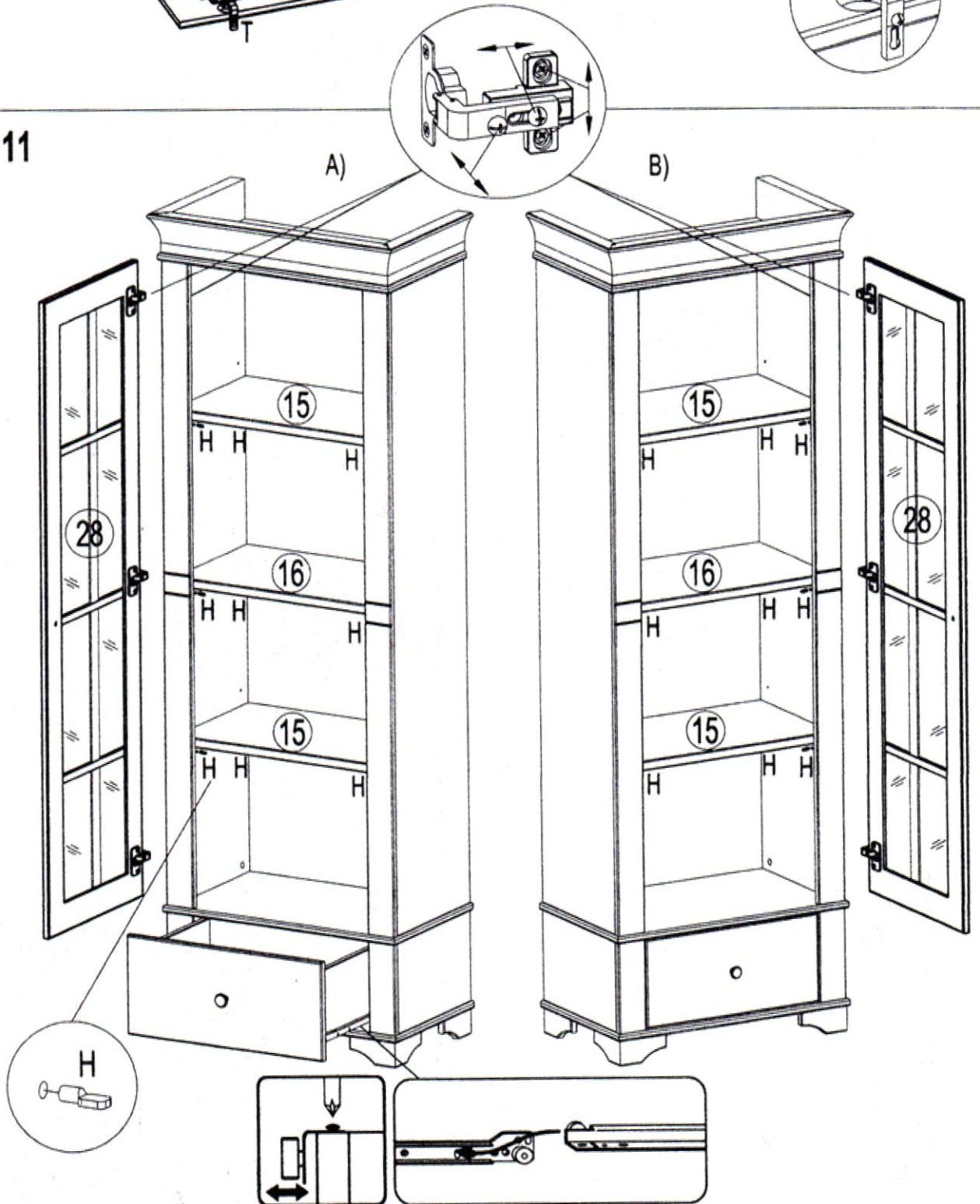
3



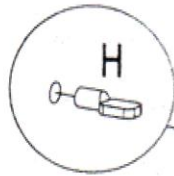
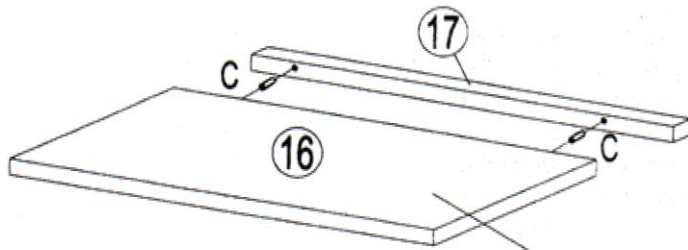
10



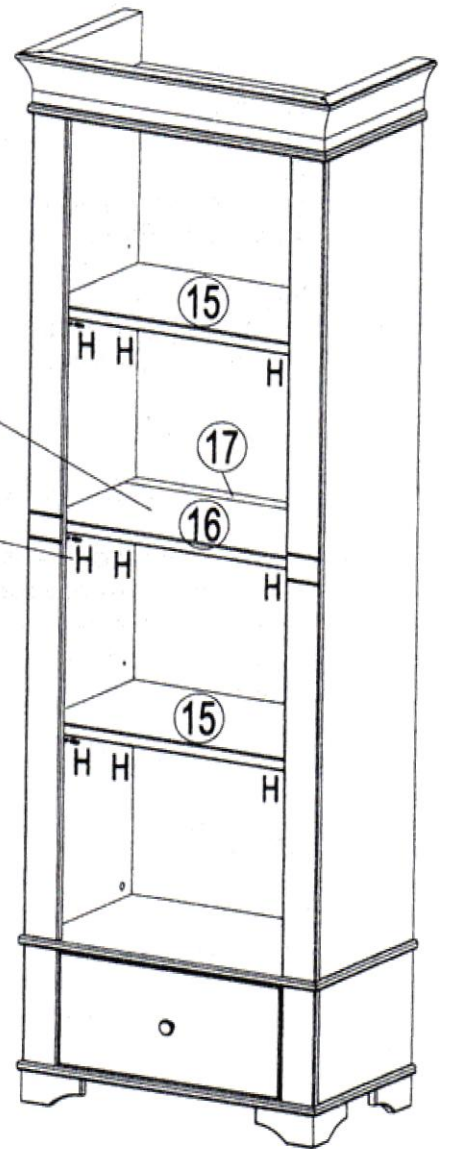
11



12



c)



13

